

Item Number
RAM-VBD-101

RAM Drill Seat Bases

National Products, Inc.

Vehicle base for the

CHEVROLET SILVERADO (1999-2006)
CHEVROLET SUBURBAN (2000-2006)
CHEVROLET TAHOE (2000-2006)
DODGE DURANGO (2004-NEWER)
FORD EXCURSION (2000-2005)
FORD F-150 (1997-NEWER)
FORD F-250 LIGHT DUTY (1997-2004)
FORD F-250, F-350, F-450, F-550, F-750 SUPER DUTY TRUCKS (1999-NEWER)
FORD RANGER (1993-NEWER)
GMC YUKON (2000-2006)

SPECIFICATIONS

Placement

Flat surface/floor

Drilling Required

Yes

Seat Configuration

Bucket/Bench

Construction/Finish

Steel/Black Powdercoat

Dimensions

A = 20.25", B = 5.25", C = 5.5", D = 4"
Hole Center = 6.63"

Features

Universal base for any vehicle with a flat mounting surface

Misc.

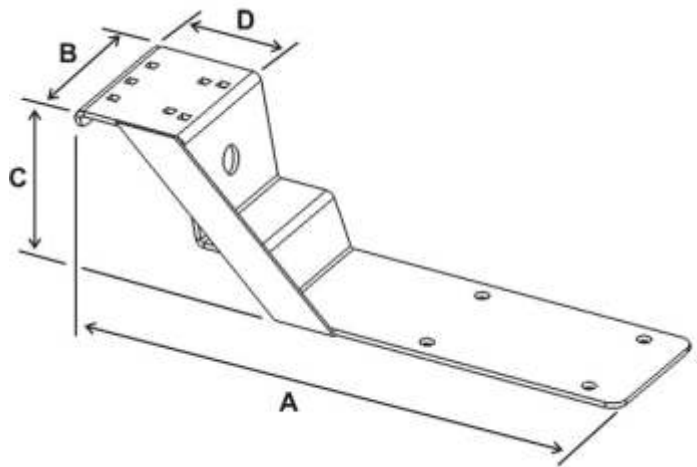
Rugged Steel Construction

Lifetime warranty

National Products, Inc.
Phone: 206-763-8361
Fax: 206-763-9615
Address: 1205 S Orr St
Seattle, WA 98108
Website: www.ram-mount.com
Email: staff@ram-mount.com



Shown In Use



RAM-VBD-101



Item Number
RAM-VBD-101

RAM Drill Seat Bases
National Products, Inc.

Vehicle base for the

CHEVROLET SILVERADO (1999-2006)
CHEVROLET SUBURBAN (2000-2006)
CHEVROLET TAHOE (2000-2006)
DODGE DURANGO (2004-NEWER)
FORD EXCURSION (2000-2005)
FORD F-150 (1997-NEWER)
FORD F-250 LIGHT DUTY (1997-2004)
FORD F-250, F-350, F-450, F-550, F-750 SUPER DUTY TRUCKS (1999-NEWER)
FORD RANGER (1993-NEWER)
GMC YUKON (2000-2006)

INSTALLATION INSTRUCTIONS

1. Place base on floor so that the pedestal is in the optimum location.
2. Mark the mounting hole locations. Please note that it might be necessary to shim a corner of the mounting base if the floor surface is uneven.
3. Drill 17/32" holes in the floor at all of the marked locations. Be extremely careful not to damage any equipment under the floor board of the vehicle when drilling.
4. Tighten base in place using bolts, washers, and nuts. If floor is less than 1/4" thick, please use fender washers on the underside to help distribute the weight.

National Products, Inc.
Phone: 206-763-8361
Fax: 206-763-9615
Address: 1205 S Orr St
Seattle, WA 98108
Website: www.ram-mount.com
Email: staff@ram-mount.com

