

**Item Number** \_\_\_\_\_

RAM-VB-189 & RAM-VB-189-SW1

# RAM No-Drill™ Seat Bases

National Products, Inc.

## Vehicle base for the **CHEVROLET CAPRICE POLICE PACKAGE (2011-2012)**

### SPECIFICATIONS

**Placement**

Passenger side on the floor, in front of seat

**Drilling Required**

No - uses existing seat leg clips. For added support base can also be drilled to floor board.

**Seat Configuration**

Bucket

**Construction/Finish**

Steel/Black Powdercoat

**Pole or Pedestal**

Sold Separately

**Dimensions**

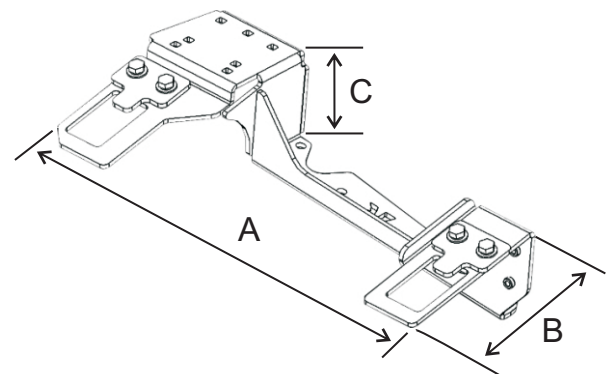
A = 18.87", B = 10", C = 4",  
Track Hole Center = 16.25"

### Features

Low profile minimized intrusion into passenger leg space



Complete Vehicle Mount  
RAM-VB-189-SW1



Vehicle Base  
RAM-VB-189

**National Products, Inc.**

8410 Dallas Ave S  
Seattle, WA 98108  
Phone: (206) 763-8361  
Fax: (206) 763-9615  
Website: [www.ram-mount.com](http://www.ram-mount.com)  
Email: [staff@ram-mount.com](mailto:staff@ram-mount.com)



**Item Number** \_\_\_\_\_

RAM-VB-189 &amp; RAM-VB-189-SW1

**RAM No-Drill™ Seat Bases**

National Products, Inc.

**Vehicle base for the  
CHEVROLET CAPRICE POLICE  
PACKAGE (2011-2012)****INSTALLATION INSTRUCTIONS**

1. Move seat to its forward most position. Remove plastic covers over rear seat leg bolts.
2. At the rear, pry upward on the front left side cover to loosen it.
3. Remove the rear seat leg bolts using a 5/8" socket.
4. Now slide the seat to its most rearward position and remove the seat leg covers by pulling them forward.
5. Carefully disconnect the wiring harness.
6. To release the seat, tilt it forward, gently lift at front of the seat and slide it backward to free the front seat hooks.
7. If there is a passenger side front floor mat, remove it from the vehicle.
8. Place the No-Drill™ base into the vehicle so the rectangular openings are positioned over the seat hook slots.
9. Lift the seat back into place by tilting it forward and reinserting the hooks into the floor slots.
10. Install the t-brackets on top of the base with the tab positioned under the seat rail and between the seat hooks.
11. Using a soft mallet, tap the base so that all parts of the seat rail fit inside the rectangular openings of the base.
12. Make sure the wiring harness is clear of any impingement then move the seat forward to gain access to the rear bolts.
13. Replace the rear seat leg bolts and fully tighten.
14. Again, make sure the wiring harness is clear of any impingement then move the seat back.
15. Reconnect the wiring harness and install the harness protection plate provided.
16. Reinstall plastic covers and the floor mat.

**National Products, Inc.**  
8410 Dallas Ave S  
Seattle, WA 98108  
Phone: (206) 763-8361  
Fax: (206) 763-9615  
Website: [www.ram-mount.com](http://www.ram-mount.com)  
Email: [staff@ram-mount.com](mailto:staff@ram-mount.com)

