

Item Number
RAM-VB-168

RAM No-Drill™ Seat Bases

National Products, Inc.

Vehicle base for the Freightliner, International, Kenworth, Peterbilt, and Volvo Trucks

SPECIFICATIONS

Placement

Passenger side of cab between seat frame and cab floor. Pedestal platform should extend from inner rear of passenger seat.

Drilling Required

No - uses existing seat bolts

Seat Configuration

Bucket/Bench

Construction/Finish

Steel/Black Powdercoat

Pole or Pedestal

Purchased Separately

Weight

10.85 lbs.

Dimensions

A = 19.56", B = 14.37", C = 1.18"

Features

Installs in minutes with no drilling required
Won't interfere with passenger leg space

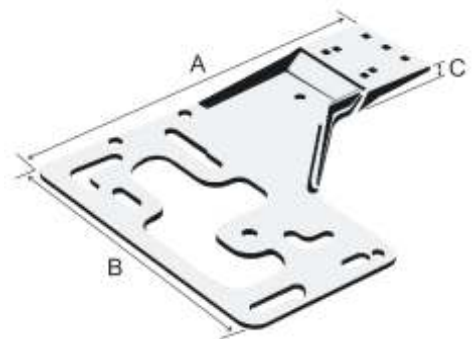
Misc.

If the heater box is under the seat, the installer may need to drill holes in the base to accommodate vehicle mounting holes or studs. Also, the heater box may cause the system to sit higher than normal. Pole may be cut down by installer to lower kit. This will not void the warranty.

National Products, Inc.
Phone: 206-763-8361
Fax: 206-763-9615
Address: 1205 S Orr St
Seattle, WA 98108
Website: www.ram-mount.com
Email: staff@ram-mount.com



Shown In Use



RAM-VB-168



Item Number
RAM-VB-168

RAM No-Drill™ Seat Bases
National Products, Inc.

Vehicle base for the Freightliner, International, Kenworth, Peterbilt, and Volvo Trucks

INSTALLATION INSTRUCTIONS

1. Depending on vehicle make and model, remove either the nuts or bolt holding the passenger side seat to the cab floor and set these aside.
2. Remove the seat from the installation area.
3. Place the No Drill™ base over the holes or mounting studs that are now accessible on the cab floor. Note that the platform for the pedestal should be positioned to the inside rear of the passenger seat when completed. This will put the pedestal between the passenger and drivers seat upon completion.
4. Replace the passenger side seat by sitting it over the top of the No Drill™ base making sure that the studs or holes in the seat frame, No Drill™ base, and floor board are aligned.
5. Re-install the factory nuts or bolts and securely fasten.

National Products, Inc.
Phone: 206-763-8361
Fax: 206-763-9615
Address: 1205 S Orr St
Seattle, WA 98108
Website: www.ram-mount.com
Email: staff@ram-mount.com

