

Item Number
RAM-VB-163

RAM No-Drill™ Seat Bases

National Products, Inc.

Vehicle base for the
ACURA MDX (2001-2006)
HONDA PILOT (2005-2008)

SPECIFICATIONS

Placement

Passenger side, in front, where seat frame meets floor board.

Drilling Required

None - uses existing seat bolts

Seat Configuration

Bucket

Pole or Pedestal

Ordered Separately

Construction/Finish

Steel/Black Powdercoat

Weight

5.5 lbs.

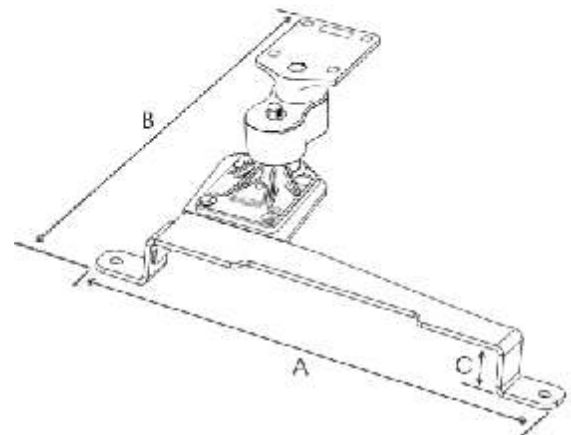
Dimensions

A = 18", B = 11", C = 1.75"
Hole Center = 16.875"

RAM®ADJUST-A-POLE™
Included With Base
Patented



Shown In Use



RAM-VB-163

Features

Installs in minutes with no drilling required

Misc.

Rock solid construction
Lifetime warranty

National Products, Inc.
Phone: 206-763-8361
Fax: 206-763-9615
Address: 1205 S Orr St
Seattle, WA 98108
Website: www.ram-mount.com
Email: staff@ram-mount.com



Item Number
RAM-VB-163

RAM No-Drill™ Seat Bases
National Products, Inc.

**Vehicle base for the
ACURA MDX (2001-2006)
HONDA PILOT (2005-2008)**

INSTALLATION INSTRUCTIONS

Depending on your make and model, there may be a piece of plastic trim that covers the lower front of the seat frame. This will need to be removed and stored. If you wish to reinstall this piece of trim, you will have to modify it to fit over the stamped metal base.

1. Assemble the Adjust-A-Pole™ riser and attach to the stamped metal base. Do so with the carriage bolts passing down through the base so the nuts are on the bottom.
2. To the upper half of the Adjust-A-Pole™, attach the lower female tube that is part of the Tele-Pole assembly. Do so with the carriage bolts passing downward so the rounded part of the bolt is on top. Once completed, set aside.
3. Locate the two front seat rail bolts holding the passenger seat in place.
4. Using a 14MM socket, remove the two seat rail bolts and set them aside.
5. Place the stamped metal base under the seat with the mounting holes over those of the seat rail frame.
6. Re-install the 14MM seat rail bolts and tighten.



National Products, Inc.
Phone: 206-763-8361
Fax: 206-763-9615
Address: 1205 S Orr St
Seattle, WA 98108
Website: www.ram-mount.com
Email: staff@ram-mount.com

