

Item Number
RAM-VB-153

RAM No-Drill™ Seat Bases

National Products, Inc.

Vehicle base for the TOYOTA SIENNA (2005-NEWER)

SPECIFICATIONS

Placement

Passenger side of vehicle, front, where seat frame attaches to floor board.

Drilling Required

No - uses existing seat bolts

Seat Configuration

Bucket

Construction/Finish

Steel/Black Powdercoat

Pole or Pedestal

Sold Separately

Weight 4.8 lbs.

Dimensions

A = 18.32", B = 7.125", C = 2.625"

Hole Center = 17"

Features

Installs in minutes with no drilling required
Low profile keeps mount away from passenger leg space

Misc.

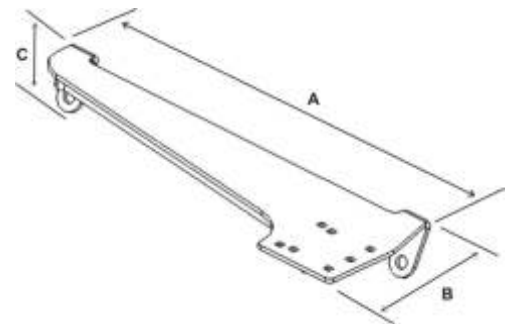
Rock solid construction

Lifetime warranty

National Products, Inc.
Phone: 206-763-8361
Fax: 206-763-9615
Address: 1205 S Orr St
Seattle, WA 98108
Website: www.ram-mount.com
Email: staff@ram-mount.com



Shown In Use



RAM-VB-153



Item Number
RAM-VB-153

RAM No-Drill™ Seat Bases
National Products, Inc.

**Vehicle base for the
TOYOTA SIENNA (2005-NEWER)**

INSTALLATION INSTRUCTIONS

1. Move the passenger seat back to its rearmost position and remove the front seat rail bolts.
2. Without moving the seat, place the No-Drill™ base over the front of the seat frame legs.
3. Align the holes in the base with those of the seat frame legs. The pedestal platform should be near the console.
4. Re-install the seat bolts and fully tighten.

National Products, Inc.
Phone: 206-763-8361
Fax: 206-763-9615
Address: 1205 S Orr St
Seattle, WA 98108
Website: www.ram-mount.com
Email: staff@ram-mount.com

