

**Item Number**  
RAM-VB-139

# RAM No-Drill™ Seat Bases

National Products, Inc.

## Vehicle base for the HONDA ACCORD (2004-2007)

### SPECIFICATIONS

#### Placement

Passenger side, front, where seat rail frame attaches to floor board.

#### Drilling Required

No - uses existing seat bolts  
Honda Accord (2004-Newer)

#### Seat Configuration

Bucket

#### Construction/Finish

Steel/Black Powdercoat

#### Dimensions

A = 16.875", B = 8.125", C = 1.625"  
Hole Centers = 14.75"

#### Pole or Pedestal

Sold Separately

#### Weight

5 lbs.

### Features

Installs in minutes with no drilling required  
Low profile keeps mount away from passenger leg space

### Misc.

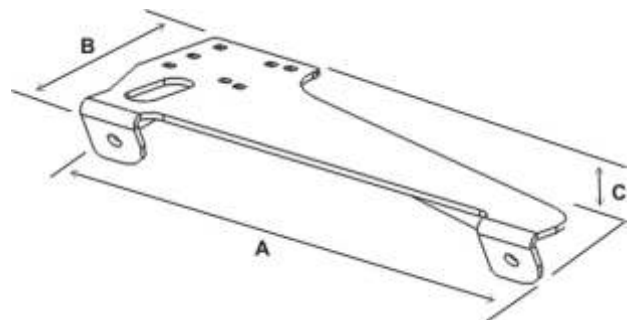
Rock solid construction

Lifetime warranty

National Products, Inc.  
Phone: 206-763-8361  
Fax: 206-763-9615  
Address: 1205 S Orr St  
Seattle, WA 98108  
Website: [www.ram-mount.com](http://www.ram-mount.com)  
Email: [staff@ram-mount.com](mailto:staff@ram-mount.com)



Shown In Use



RAM-VB-139



**Item Number**  
RAM-VB-139

**RAM No-Drill™ Seat Bases**  
National Products, Inc.

**Vehicle base for the  
HONDA ACCORD (2004-2007)**

**INSTALLATION INSTRUCTIONS**

1. Move the passenger seat back to its rearmost position and remove the front seat rail bolts. Store these bolts.
2. Align the holes in the base and seat frame legs with those in the floor board. The pedestal platform should be near the console.
3. Pass the supplied longer bolts with washers through to the holes, into the floor board, and start the thread by hand.
4. Using a socket wrench, fully tighten the bolts to secure the no drill base into the vehicle.
5. After a week of use, check seat bolts and re-tighten if necessary.

National Products, Inc.  
Phone: 206-763-8361  
Fax: 206-763-9615  
Address: 1205 S Orr St  
Seattle, WA 98108  
Website: [www.ram-mount.com](http://www.ram-mount.com)  
Email: [staff@ram-mount.com](mailto:staff@ram-mount.com)

