

**Item Number**  
RAM-VB-138

# RAM No-Drill™ Seat Bases

National Products, Inc.

**Vehicle base for the  
TOYOTA TACOMA (2005-NEWER)  
TOYOTA 4RUNNER (2003-NEWER)**

## SPECIFICATIONS

### Placement

Passenger side on the floor, under front seat

### Drilling Required

No - uses existing seat bolts

### Seat Configuration

Bucket

### Pole or Pedestal

Sold Separately

### Construction/Finish

Steel/Black Powdercoat

### Weight

7 lbs.

### Dimensions

A = 17.125", B = 6.5", C = 5"  
Hole Centers = 15.875"

## Features

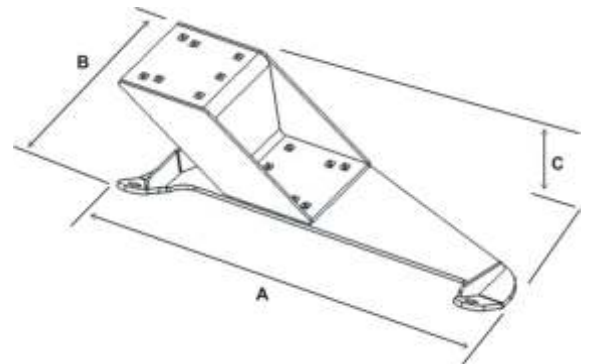
Installs in minutes with no drilling required  
Low profile keeps mount away from passenger leg space

## Notes

The RAM-VB-138 will not fit BENCH SEAT MODEL TRUCKS



Shown In Use



RAM-VB-138

National Products, Inc.  
Phone: 206-763-8361  
Fax: 206-763-9615  
Address: 1205 S Orr St  
Seattle, WA 98108  
Website: [www.ram-mount.com](http://www.ram-mount.com)  
Email: [staff@ram-mount.com](mailto:staff@ram-mount.com)



**Item Number**  
RAM-VB-138

**RAM No-Drill™ Seat Bases**  
National Products, Inc.

**Vehicle base for the**  
**TOYOTA TACOMA (2005-NEWER)**  
**TOYOTA 4RUNNER (2003-NEWER)**

## **INSTALLATION INSTRUCTIONS**

1. Move the passenger seat back to its rearmost position and remove the front seat rail bolts on the passenger side.
2. Without moving the seat, place the No-Drill™ base over the front of the seat frame legs.
3. Align the holes in the base with those of the seat frame legs. The pedestal platform should be near the console.
4. Re-install the seat bolts and fully tighten.

National Products, Inc.  
Phone: 206-763-8361  
Fax: 206-763-9615  
Address: 1205 S Orr St  
Seattle, WA 98108  
Website: [www.ram-mount.com](http://www.ram-mount.com)  
Email: [staff@ram-mount.com](mailto:staff@ram-mount.com)

