

Item Number
RAM-VB-137ST1

RAM No-Drill™ Seat Bases

National Products, Inc.

Vehicle base for the TOYOTA TUNDRA (2007-NEWER)

SPECIFICATIONS

Placement

Passenger side on the floor, under front seat

Drilling Required

No - uses existing seat bolts

Seat Configuration

Bucket

Pole or Pedestal

Sold Separately

Construction/Finish

Steel/Black Powdercoat

Weight

9.6 lbs.

Dimensions

A = 18.125", B = 9.375", C = 5.375"

Hole Centers = 17"

Features

Installs in minutes with no drilling required
Low profile keeps mount away from passenger leg space

Misc.

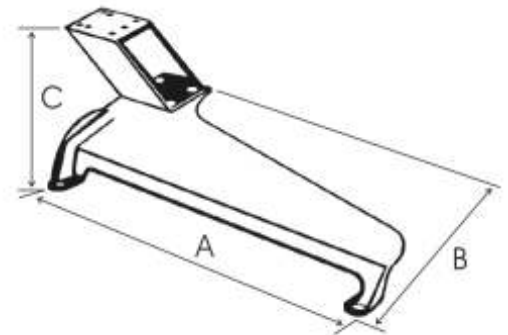
Rock solid construction

Lifetime warranty

National Products, Inc.
Phone: 206-763-8361
Fax: 206-763-9615
Address: 1205 S Orr St
Seattle, WA 98108
Website: www.ram-mount.com
Email: staff@ram-mount.com



Shown In Use



RAM-VB-137ST1



Item Number
RAM-VB-137ST1

RAM No-Drill™ Seat Bases
National Products, Inc.

**Vehicle base for the
TOYOTA TUNDRA (2007-NEWER)**

INSTALLATION INSTRUCTIONS

1. If using a riser, it should be attached to the No-Drill™ base prior to attaching the base to the vehicle. For a finished look, assemble so the rounded heads of the carriage bolts are on top.
2. Move the passenger seat back to its rearmost position and remove the front seat rail bolts using a 14mm socket wrench. Save and store these bolts should the mount be later removed.
3. Using the provided hardware, place the washers over the longer bolts, pass the bolts through the No-Drill™ base, next through the round stand-offs, and align over the threaded holes in the floor board.
4. Start bolts by hand to insure that the bolts do not cross thread
5. Using a 17mm socket wrench, fully tighten the bolts to secure the base.
6. After a day of use, re-tighten the seat bolts holding the mount in place.

National Products, Inc.
Phone: 206-763-8361
Fax: 206-763-9615
Address: 1205 S Orr St
Seattle, WA 98108
Website: www.ram-mount.com
Email: staff@ram-mount.com

