

Item Number
RAM-VB-133

RAM No-Drill™ Seat Bases

National Products, Inc.

Vehicle base for the
TOYOTA HILUX (2004)
TOYOTA SEQUOIA (2001-NEWER)
TOYOTA TUNDRA (2000-2006)*

SPECIFICATIONS

Placement

Passenger side of vehicle, front, where seat frame attaches to floor board.

Drilling Required

No - uses existing seat bolts

Seat Configuration

Bucket

Construction/Finish

Steel/Black Powdercoat

Pole or Pedestal

Sold Separately

Dimensions

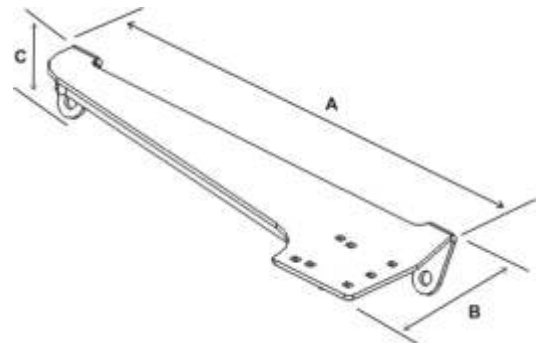
A = 19.875", B = 7.125", C = 2.5"
Hole Centers = 18"

Weight

5 lbs.



Shown In Use



RAM-VB-133

Features

Installs in minutes with no drilling required
Low profile keeps mount away from passenger leg space

Misc.

Compatible With Bucket Seats and

* **Bench Seats:** the second mounting hole will have to be exposed by cutting a small opening in the carpet or vinyl
On bench seat models

National Products, Inc.
Phone: 206-763-8361
Fax: 206-763-9615
Address: 1205 S Orr St
Seattle, WA 98108
Website: www.ram-mount.com
Email: staff@ram-mount.com



Item Number
RAM-VB-133

RAM No-Drill™ Seat Bases
National Products, Inc.

Vehicle base for the
TOYOTA HILUX (2004)
TOYOTA SEQUOIA (2001-NEWER)
TOYOTA TUNDRA (2000-2006)*

INSTALLATION INSTRUCTIONS

1. Move the passenger seat back to its rearmost position and remove the front seat rail bolts on the passenger side.
2. Without moving the seat, place the No-Drill™ base over the front of the seat frame legs.
3. Align the holes in the base with those of the seat frame legs. The pedestal platform should be near the console.
4. Re-install the seat bolts and fully tighten.

Compatible With Bucket Seats and

*** Bench Seats: the second mounting hole will have to be exposed by cutting a small opening in the carpet or vinyl on bench seat models**

National Products, Inc.
Phone: 206-763-8361
Fax: 206-763-9615
Address: 1205 S Orr St
Seattle, WA 98108
Website: www.ram-mount.com
Email: staff@ram-mount.com

