

**Item Number**  
RAM-VB-127

# RAM No-Drill™ Seat Bases

National Products, Inc.

**Vehicle base for the**  
**DODGE RAM 1500** (1994-2001)  
**DODGE RAM 2500/3500** (1994-2002)

## SPECIFICATIONS

### Placement

Across Transmission hump

### Drilling Required

No - uses existing seat bolts

### Seat Configuration

Bucket/Bench

### Pole or Pedestal

Purchased Separately

### Construction/Finish

Steel/Black Powdercoat

### Weight

5.5 lbs.

### Dimensions

A = 26.31", B = 10", C = 4.5"

Hole Center = 23.75" and 24.25"

## Features

Installs in minutes with no drilling required

## Misc.

Rugged steel construction

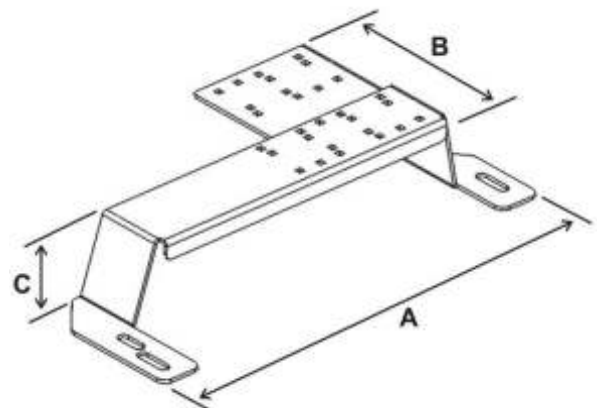
Lifetime warranty

Drilling may be required for vehicles with a bench seat

National Products, Inc.  
Phone: 206-763-8361  
Fax: 206-763-9615  
Address: 1205 S Orr St  
Seattle, WA 98108  
Website: [www.ram-mount.com](http://www.ram-mount.com)  
Email: [staff@ram-mount.com](mailto:staff@ram-mount.com)



Shown In Use



RAM-VB-127



**Item Number**  
RAM-VB-127

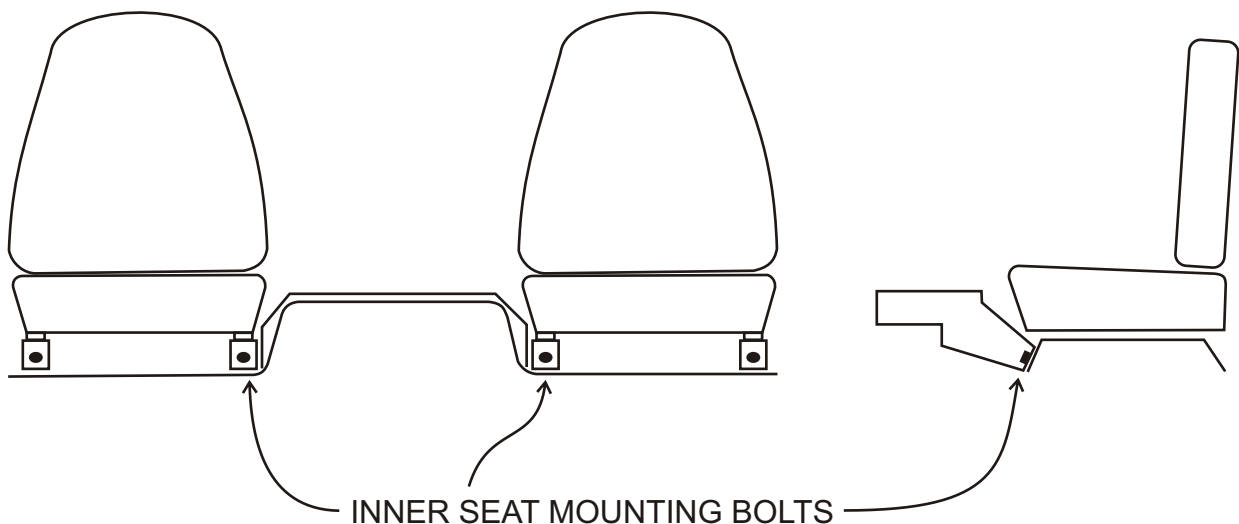
**RAM No-Drill™ Seat Bases**  
National Products, Inc.

**Vehicle base for the**  
**DODGE RAM 1500 (1994-2001)**  
**DODGE RAM 2500/3500 (1994-2002)**

## INSTALLATION INSTRUCTIONS

Before installation, attach extension plate to the bottom of the base with the provided hardware.

1. Place both front seats in their most rear position.
2. Remove the drivers side front right and the passenger side front left seat mounting bolts (inner seat bolts).
3. Slightly lift both the passenger and driver seats and slide the No-Drill™ base between the floor of the vehicle and the bottom of the seat.
4. Align the holes and reinstall all of the seat bolts that have been removed.



National Products, Inc.  
Phone: 206-763-8361  
Fax: 206-763-9615  
Address: 1205 S Orr St  
Seattle, WA 98108  
Website: [www.ram-mount.com](http://www.ram-mount.com)  
Email: [staff@ram-mount.com](mailto:staff@ram-mount.com)

