

Item Number
RAM-VB-114

RAM No-Drill™ Seat Bases

National Products, Inc.

**Vehicle base for the
CHEVROLET TRAILBLAZER (2002-NEWER)
GMC ENVOY (2002-NEWER)**

SPECIFICATIONS

Placement

Passenger side floor board, under seat

Seat Configuration

Bucket

Construction/Finish

Steel/Black Powdercoat

Dimensions

A = 5.5", B = 6.13", C = 18.75"
Hole Center = 14"

Pole or Pedestal

Purchased Separately

Weight

6 lbs.

Features

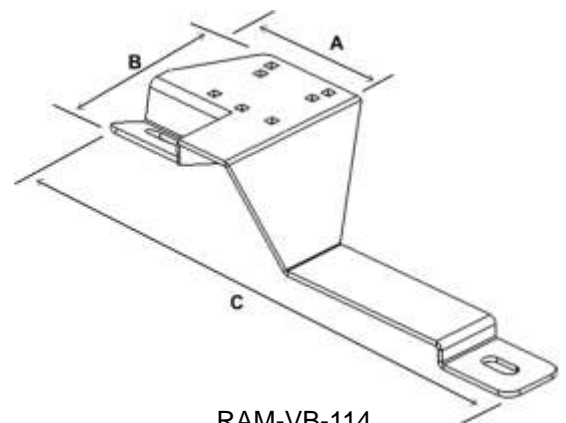
Installs in minutes with no drilling required
Base preserves passenger leg room

Misc.

National Products, Inc.
Phone: 206-763-8361
Fax: 206-763-9615
Address: 1205 S Orr St
Seattle, WA 98108
Website: www.ram-mount.com
Email: staff@ram-mount.com



Shown In Use



RAM-VB-114



Item Number
RAM-VB-114

RAM No-Drill™ Seat Bases
National Products, Inc.

Vehicle base for the
CHEVROLET TRAILBLAZER (2002-NEWER)
GMC ENVOY (2002-NEWER)

INSTALLATION INSTRUCTIONS

1. Move the passenger seat back to its rearmost position and remove the front seat rail bolts.
2. Lift upward on the passenger seat.
3. Without moving the seat, place the No-Drill™ base over the front of the seat bracket.
4. Re-install the seat bolts.

National Products, Inc.
Phone: 206-763-8361
Fax: 206-763-9615
Address: 1205 S Orr St
Seattle, WA 98108
Website: www.ram-mount.com
Email: staff@ram-mount.com

