

Item Number
RAM-VB-103

RAM No-Drill™ Seat Bases

National Products, Inc.

Vehicle base for the

Chevrolet trucks
1994-2006 1500 C/K 2WD and 4WD
1994-1999 2500, 3500 C/K
1993 and older Full Size Blazer
1994-1999 Tahoe
1998 and older Silverado
1994-1999 Suburban

GMC trucks
1994-1999 Yukon
1994-1999 Sierra

SPECIFICATIONS

Placement

Across Transmission Hump

Drilling Required

No - uses existing seat bolts on all vehicles
Except full size Blazer. Drilling is required
for this vehicle 1993 and older

Seat Configuration

Bucket/Bench

Construction/Finish

Steel/Black Powdercoat

Pole or Pedestal

Ordered Separately

Dimensions

A = 14.5", B = 3.75", C = 5.5",
D = 9.5", E = 6.25"
Hole Center = 23.13"

Weight

6.4 lbs.

Features

Installs in minutes with no drilling required
Over the hump design allows for excellent mount placement

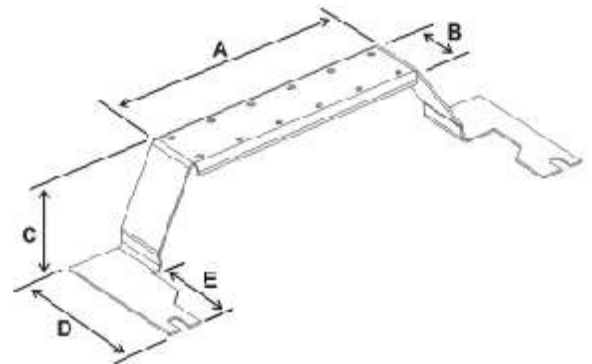
Notes.

For the 1998 Chevrolet Silverado, drilling may be required if vehicle has a bench seat. The base may not work with factory installed consoles or 4WD levers on the floor.

National Products, Inc.
Phone: 206-763-8361
Fax: 206-763-9615
Address: 1205 S Orr St
Seattle, WA 98108
Website: www.ram-mount.com
Email: staff@ram-mount.com



Shown In Use



RAM-VB-103



Item Number
RAM-VB-103

RAM No-Drill™ Seat Bases

National Products, Inc.

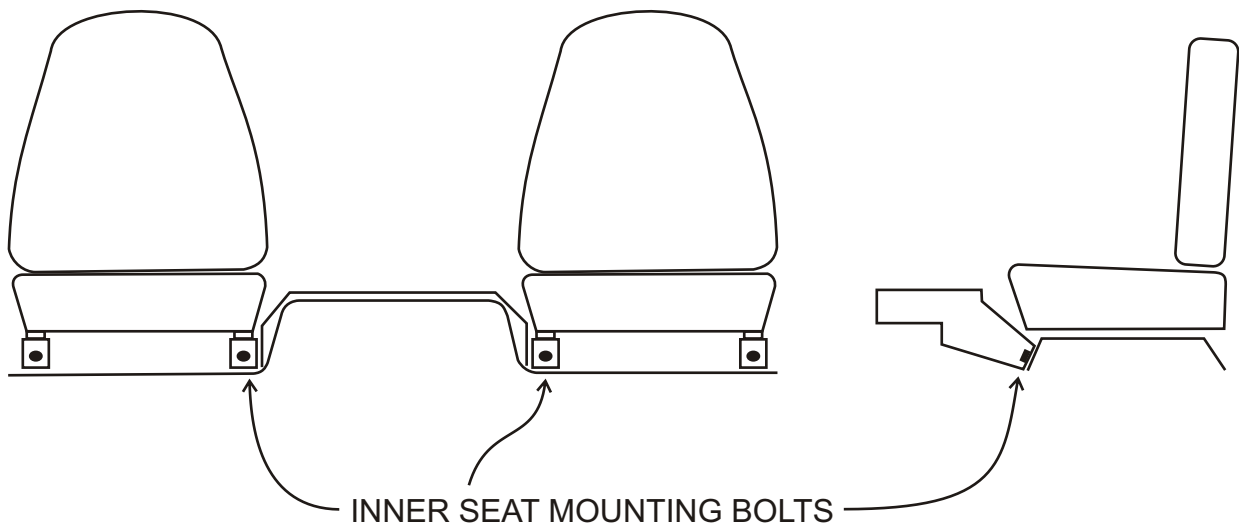
Vehicle base for the

Chevrolet trucks
1994-2006 1500 C/K 2WD and 4WD
1994-1999 2500, 3500 C/K
1993 and older Full Size Blazer
1994-1999 Tahoe
1998 and older Silverado
1994-1999 Suburban

GMC trucks
1994-1999 Yukon
1994-1999 Sierra

INSTALLATION INSTRUCTIONS

1. Place both front seats in their most rear position.
2. Remove the drivers side front right and the passenger side front left seat mounting bolts (inner seat bolts).
3. Slightly lift both the passenger and driver seats and slide the No-Drill™ base between the floor of the vehicle and the bottom of the seat.
4. Align the holes and reinstall all of the seat bolts that have been removed.



National Products, Inc.
Phone: 206-763-8361
Fax: 206-763-9615
Address: 1205 S Orr St
Seattle, WA 98108
Website: www.ram-mount.com
Email: staff@ram-mount.com

