

Item Number
RAM-VB-102

RAM No-Drill™ Seat Bases

National Products, Inc.

Vehicle base for the

Chevrolet trucks
2000 -2006 1500,2500,3500 C/K and
classic body style 2007 models.
2000-2006 Suburban and Tahoe
1999-2006 Silverado

GMC trucks
1999 -2006 1500,2500,3500 C/K including
classic body style.
2000-2006 Sierra including classic body
style. 2000-2006 Yukon, Yukon XL

SPECIFICATIONS

Placement

Installs on passenger side in between seat
Cushion and seat rails.

Drilling Required

None - uses existing seat bolts

Seat Configuration

Bucket

Construction/Finish

Steel/Black Powdercoat

Dimensions

A = 16", B = 8", C = 4.69", D = 6.75", E = 4"
Hole Center = 11.75"

Pole or Pedestal

Ordered Separately

Weight

Features

Installs in minutes with no drilling required

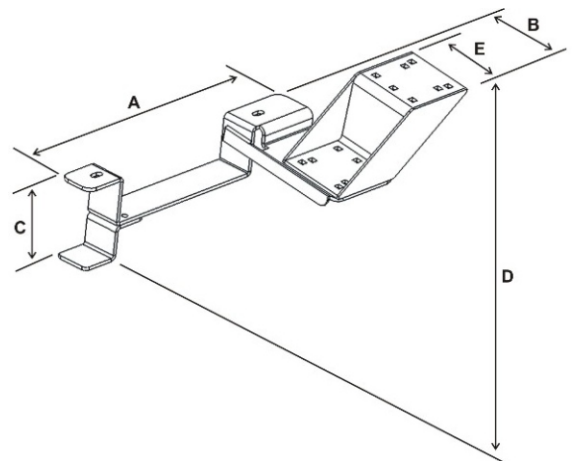
Misc.

May reduce or restrict seat travel. May not work in some vehicles
With power seats.
Rock solid construction
Lifetime warranty

National Products, Inc.
Phone: 206-763-8361
Fax: 206-763-9615
Address: 1205 S Orr St
Seattle, WA 98108
Website: www.ram-mount.com
Email: staff@ram-mount.com



Shown In Use



RAM-VB-102, SHOWN WITH
RAM-VB-SB4 RISER (INCLUDED)



Item Number

RAM-VB-102

RAM No-Drill™ Seat Bases

National Products, Inc.

Vehicle base for the

Chevrolet trucks

2000 -2006 1500,2500,3500 C/K and classic body style 2007 models.

2000-2006 Suburban and Tahoe

1999-2006 Silverado

GMC trucks

1999 -2006 1500,2500,3500 C/K including classic body style.

2000-2006 Sierra including classic body style. 2000-2006 Yukon, Yukon XL

INSTALLATION INSTRUCTIONS

1. Remove the two front 5/16" hex nuts that hold the passenger side seat cushion to the seat track brackets.
2. Lift the front of the seat cushion off of the front of the the seat track brackets.
3. Position the VB-102 on top of the seat track brackets so the slots in the VB-102 line up with the holes in the seat track brackets.
4. Lower the seat cushion back into place, allowing the studs to pass through the holes in the VB-102 and seat track brackets.
5. Re-attach the two 5/16" hex nuts.

Optional Lever Stop Installation:

1. After mounting the vehicle base under seat, place seat in desired permanent position.
2. Attach the level stop plate onto the main seat base plate with the provided bolts. The lever stop plate should cover the seat lever after installation. This item is recommended to be installed though optional.



National Products, Inc.
Phone: 206-763-8361
Fax: 206-763-9615
Address: 1205 S Orr St
Seattle, WA 98108
Website: www.ram-mount.com
Email: staff@ram-mount.com

